

# ASCO® PULSAR™ 450

## High Performance Surge Suppressor



The ASCO PULSAR™ 450 provides unparalleled protection from power surges and transients for smaller electrical panels or any application where a compact size is necessary. The PULSAR™ 450 is a field proven, high performance surge suppressor which limits large surges and transients through a unique array of computer matched metal oxide varistors (MOVs).

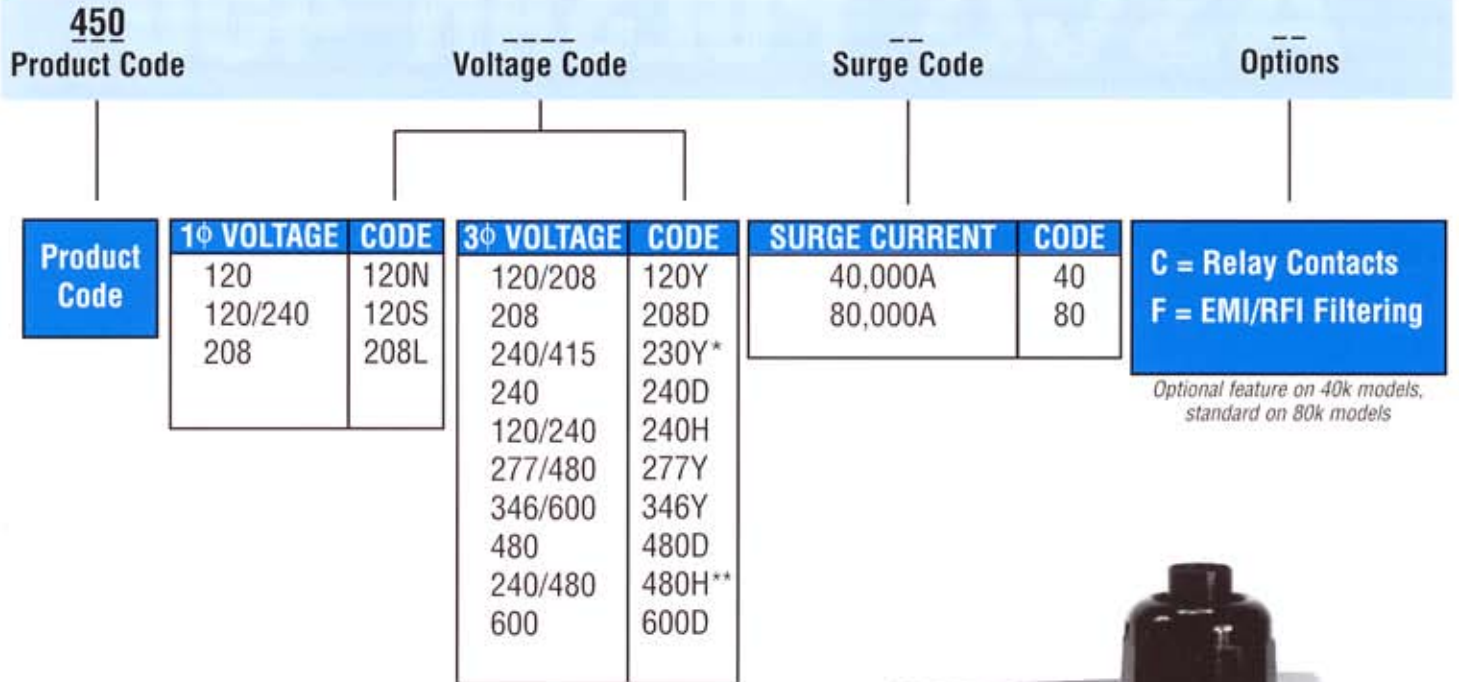
The PULSAR™ 450 has repeatable surge current capability up to 80k amps per phase which insures long product life. The protection circuitry is packaged inside a multi-cavity, glass filled plastic housing rated UL94-5V. The assembly is packed with specially formulated sand and then epoxy encapsulated. The system is UL tested at 600 VAC and 300k AIC for absolute safety.

### Features:

- PULSAR™ technology protects linear & non-linear loads
- Available with all modes of protection (L-G, L-L, L-N, N-G)
- Unique four cavity sand packed UL94-5V rated housing
- UL1449, UL1283 and CSA listed
- Suitable for mounting internal or external to panelboard
- LED status indication of normal operation, under voltage, power loss, phase loss or component failure
- Form C dry contacts to external alarm or monitoring
- Single and three phase configurations available
- Gray NoryL Housing rated NEMA 12, 4 and 4X
- Service network with ASCO trained and authorized technicians. Call 1-800-800-ASCO

# CATALOG NUMBERING SYSTEM FOR ASCO PULSAR™ 450 SURGE PROTECTOR

Ordering Example: 450277Y80 → 277/480 VAC 4 wire + gnd, L-N, L-G, N-G, L-L, 80kA/Phase.



*Optional feature on 40k models,  
standard on 80k models*

\* Valid for 220Y and 240Y per IEC  
\*\* Delta High Leg

## Voltage Code Key

CODE	80k Protection Mode
N	Single Phase L-G, L-N, N-G
L	Single Phase L-G, L-L
S	Split Single Phase L-G, L-N, N-G, L-L
Y	Three Phase Wye L-G, L-N, N-G, L-L
D	Three Phase Delta L-G, L-L
H	Three Phase Delta Hi-Leg L-G, L-N, N-G, L-L

CODE	40k Protection Mode
N	Single Phase L-N
L	Single Phase L-L
S	Split Single Phase L-N, L-L
Y	Three Phase Wye L-N, N-G, L-L
D	Three Phase Delta L-L
H	Three Phase Delta Hi-Leg L-N, N-G, L-L



Asco Power Technologies, L.P.

ASIA • AUSTRALIA • BRAZIL • CANADA • MEXICO • SOUTH AFRICA • UNITED ARAB EMIRATES • UNITED KINGDOM

Florham Park, N.J. 07932 • 1-800-937-ASCO